

PlateRite 4600N-Z/S/E

Thermal Plate Recorder

Advanced 4-page thermal CtP systems
deliver outstanding reliability
with greater safety and eco-friendliness



PlateRite 4600N-Z/S/E

New systems with innovative optical technology ensure consistent output of top-quality plates. The high-end PlateRite 4600N-Z delivers up to 33 plates per hour.

Ecology 1

Energy-saving design dramatically reduces running costs

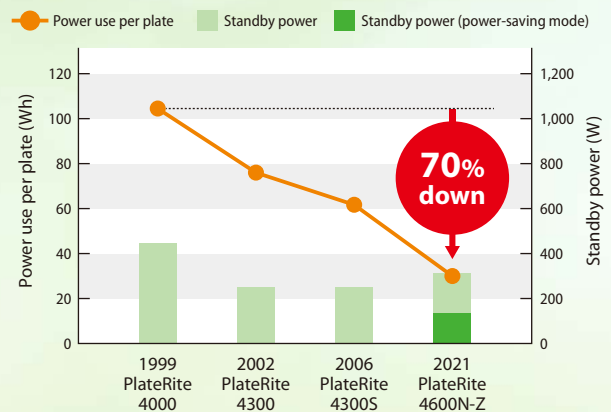
Gentle on the environment

We assess the environmental impact of all our products as a form of design review. The PlateRite 4600N series has been developed with the goals of minimizing energy use and environmental impact while maximizing safety.

- Energy use during operation has been cut by up to 71%.*
- A power-saving mode allows energy savings during idling.
- Energy use during standby is reduced by up to 70%.* (When using power-saving mode)
- All models are compatible with process-less plates from a range of manufacturers.
- The use of a registration punch-less system cuts running costs.

*As power consumption levels are also affected by environmental and other external factors, the above values cannot be guaranteed during operation. Comparison of the PlateRite 4000 and PlateRite 4600N-Z in standalone configurations when 724 x 615 mm (28.5" x 24.2") plates are exposed at 2,400 dpi.

Trends in PlateRite 4000 series electricity consumption (SCREEN measurements)



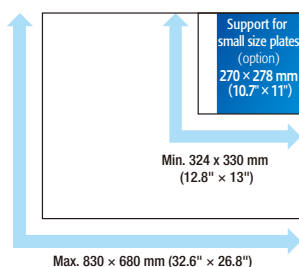
Automation

New functions greatly improve operating ratios

Continuous operation using autoloader system

An autoloader system can be installed to automate all processes from plate loading through exposure, transport and processing to discharge. An autoloader supports extended periods of continuous operation.

Two types of systems are available. While the SA-L4600N single-cassette autoloader accepts one cassette containing up to 100 plates of the same size, the MA-L4600 multi-cassette autoloader can handle three separate cassettes with up to 100 plates each.



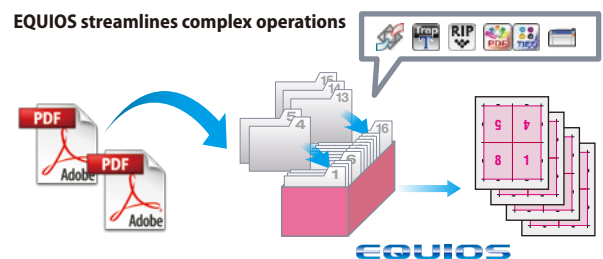
Wider range of supported plate sizes

The PTR4600N can handle plate sizes ranging from a minimum of 270 x 278 mm (10.7" x 11") right up to 830 x 680 mm (32.6" x 26.8"). This makes it compatible with an even wider variety of presses.

Some limitations apply regarding support for optional media sizes. Please contact your nearest SCREEN sales representative for further details.

Advanced EQUIOS workflow system

Linking the PlateRite 4600N series with EQUIOS enables non-stop automatic processing with minimal errors, waste or downtime. This simplified operation improves the efficiency of CtP processing and helps the entire system to achieve the maximum possible productivity.



EQUIOS Rite
Automates RIP as well as imposition and other operations

Scan this for details



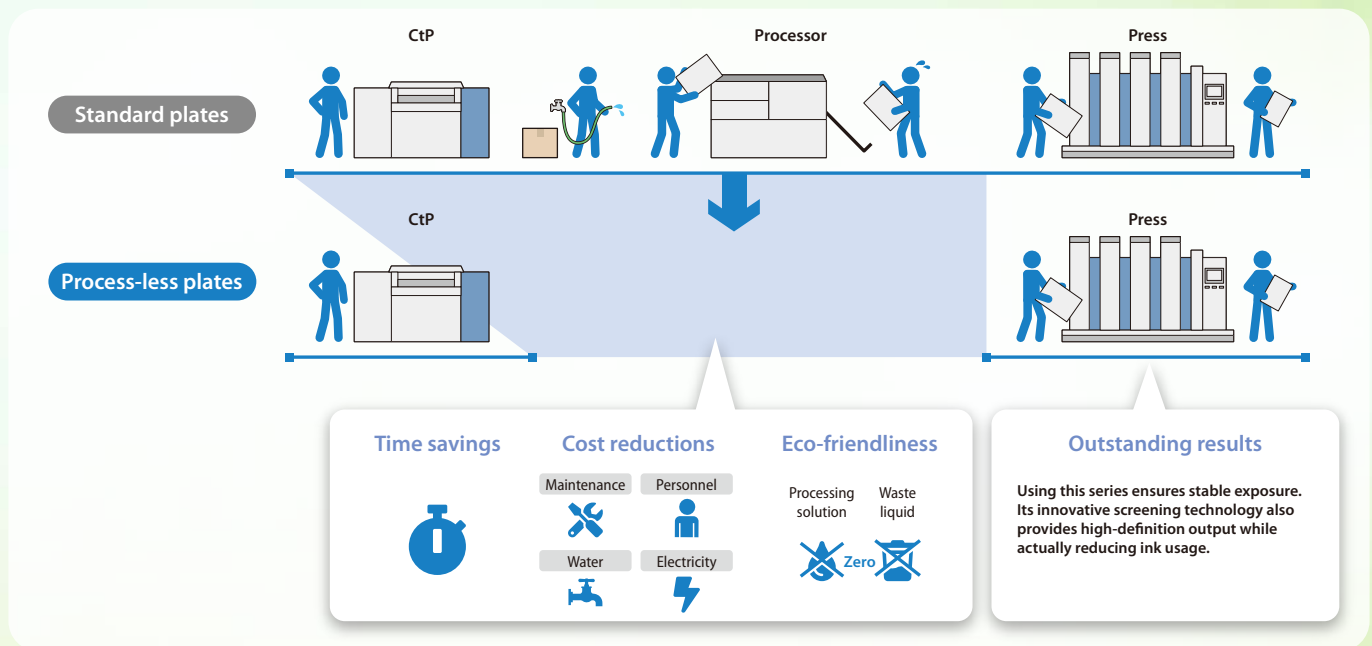
Ecology 2

Wider compatibility boosts efficiency and eco-friendliness

Optimized production line using process-less plates

All PlateRite 4600N models are compatible with process-less plates offered by a range of manufacturers. These plates greatly reduce both the chemicals and electricity used in processing units after exposure. All models also support waterless plates, which eliminate the need to

process waste liquid (dampening solution) and significantly reduce environmental impact. The PlateRite 4600N series makes it possible to choose the optimal printing method and plate type for any situation, enabling the construction of a highly flexible production line.



High quality

Fiber laser diode heads ensure highly stable exposure

Accurate reproduction of halftone dots with exposure heads

To ensure more stable exposure, the light source is equipped with the same proven fiber laser diodes used in the PlateRite 8600 series. The resulting changes in the laser beam produce more accurate vertical and horizontal lines, enabling sharper reproduction of halftone dots. This has led to a major increase in overall print quality.

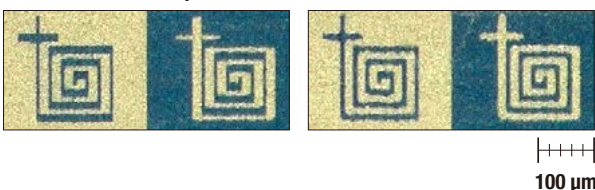
Stable drum rotation even at maximum speed

Locating the light source as close as possible to the plate has enabled even sharper imaging. Also, with our proprietary clamp technology and auto-balance system, once the operator selects the appropriate pre-registered plate size and type during setup, the system automatically makes the necessary adjustments to ensure perfect drum balance. The combination ensures highly stable, high-speed exposure during every run.

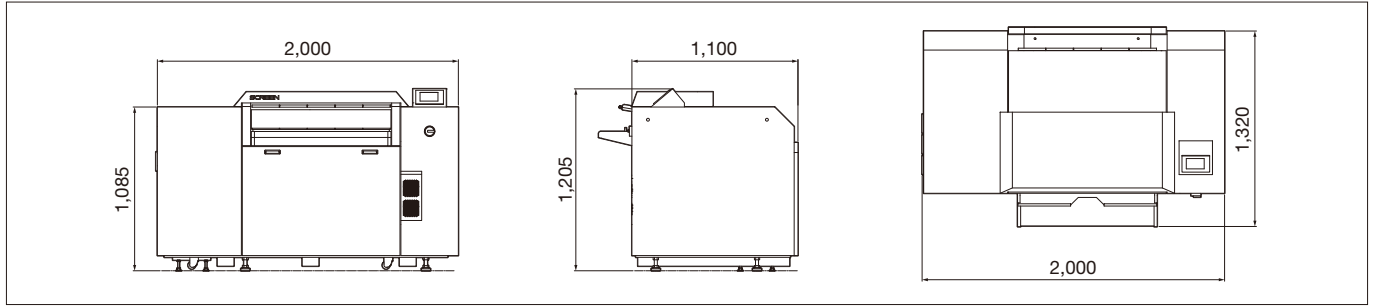
Comparison of exposure results on thermal CtP plates

PlateRite 4000/4300

PlateRite 4600N



Space requirements (unit: mm)



PlateRite 4600N-Z/S/E specifications

Product name	PlateRite 4600N-Z	PlateRite 4600N-S	PlateRite 4600N-E
Recording system	External drum		
Light source	64-channel fiber laser diodes	32-channel fiber laser diodes	16-channel fiber laser diodes
Plate sizes	Maximum 830 × 680 mm (32.6" × 26.8"); Minimum 324 × 330 mm (12.8" × 13") (Compatible with a minimum plate size of 270 × 278 mm [10.7" × 11"] or 324 × 278 mm [12.8" × 11"] with option A or option B respectively)*1		
Exposure size	830 × 656 mm (32.6" × 25.9") (12 mm [0.5"] leading/trailing edge clamps), compatible with a maximum exposure size of 830 × 664 mm (32.6" × 26.2") (8 mm [0.4"] leading/trailing edge clamps) as an option*1		
Media	Thermal aluminum plate		
Media thickness	0.15 to 0.3 mm (5.9 to 11.8 mil)		
Resolutions	1,200*2 / 2,400/2,438/2,540 dpi		
Repeatability	±5 microns*3		
Productivity	33 plates/hr at 2,400 dpi (724 × 615 mm / 28.5" × 24.2")*4	21 plates/hr at 2,400 dpi (724 × 615 mm / 28.5" × 24.2")*4	11 plates/hr at 2,400 dpi (724 × 615 mm / 28.5" × 24.2")*4
Interface	Gigabit Ethernet		
Plate transport	Manual supply / manual discharge, manual supply / automatic discharge, fully automatic		
Punch systems (option)	SCREEN, Heidelberg, Heidelberg W, Protocol, Komori and others		
Dimensions (W × D × H)	2,000 × 1,320 × 1,205 mm (78.8" × 52.0" × 47.5") (including built-in blower unit and feed tray)		
Weight	800 kg (1,764 lb) (including built-in blower unit and feed tray)	785 kg (1,731 lb) (including built-in blower unit and feed tray)	
Power requirements	Single phase 200 to 240 V, 15 A, 3.6 kW (including built-in blower unit and feed tray)		
Environment	Recommended: 21 to 25°C (69.8 to 77°F) Required: 18 to 26°C (64.4 to 78.8°F) Relative humidity: 40 to 70% (no condensation)		
Required option	Any one of feed tray, SA-L4600N, MA-L4600		
Options	SA-L4600N single-cassette autoloader, MA-L4600 multi-cassette autoloader, plate transport system (built-in bridge), feed tray, signal tower, air filter unit (AF-190)		

*1. Some limitations apply. Please contact your nearest SCREEN sales representative for further details.

*2. 1,200 dpi uses 2,400 dpi double dots.

*3. Over four consecutive exposures on one plate at 35°C (95°F) and 60% relative humidity.

*4. Productivity may vary depending upon media sensitivity.

Autoloader specifications (SA-L4600N single-cassette autoloader, MA-L4600 multi-cassette autoloader)

Product name	SA-L4600N	MA-L4600
Plate transport	Fully-automatic (automatic interleaf paper removal)	
Total cassette capacity	100 plates	300 plates
No. of cassettes	1	3
Dimensions (W × D × H)	1,425 × 1,715 × 1,045 mm (56.2" × 67.6" × 41.2")	2,590 × 1,720 × 1,033 mm (102" × 67.8" × 40.7")
Weight	Approx. 340 kg (748 lb)	Approx. 765 kg (1,683 lb)
Power requirements	Single phase 200 to 240 V, 5 A, 1.0 kW	Supplied by main unit
Environment	Recommended: 21 to 25°C (69.8 to 77°F) Required: 18 to 26°C (64.4 to 78.8°F) Relative humidity: 40 to 70% (no condensation)	
Standard accessories	Interleaf paper disposal box, carrier-type cassette	Interleaf paper disposal box
Options	Additional plate cassette with carrier	PT-R4600N connection kit

Plates of 330 mm or smaller in the vertical direction cannot be used with an autoloader. The option for the MA-L4600 may also be required depending on the plate size.

SCREEN Graphic Solutions Co., Ltd.

HEAD OFFICE

• Tenjinkita-machi 1-1, Teranouchi-agaru 4-chome, Horikawa-dori, Kamigyo-ku, Kyoto 602-8585, Japan / Tel: +81-75-414-7610

SCREEN GP Americas, LLC

• 150 Innovation Drive - Ste A, Elk Grove Village, IL 60007, U.S.A. / Tel: +1-847-870-7400 / Fax: +1-847-870-0149 www.screenamericas.com

SCREEN GP Europe B.V.

• Bosuwerij 46, 1185XX Amstelveen, The Netherlands / Tel: +31-20-456-78-00 www.screeneurope.com

U.K. office / Tel: +44-1582-72-5400

SCREEN Holdings Singapore PTE. Ltd.

• 29, Kaki Bukit View, #02-00, Kaki Bukit Techpark II, Singapore 415963 / Tel: +65-6845-3288 / Fax: +65-6741-2168 www.screensp.com.sg

SCREEN GP China Co., Ltd.

• Room 2001 - 2003, 20/F Cable TV Tower 9 Hoi Shing Road Tsuen Wan, N.T. Hong Kong / Tel: +852-2953-0038 / Fax: +852-2755-8683 www.screenchina.com

Shanghai office / Tel: +86-21-3126-5122 / Fax: +86-21-5218-2199

Beijing office / Tel: +86-10-6708-9271 / Fax: +86-10-6708-9399

Guangzhou office / Tel: +86-20-3887-9650 / Fax: +86-20-3887-9653

SCREEN GP Taiwan Co., Ltd.

• 4th Floor, No. 126-1, Min-tsu West Road, Taipei, Taiwan R.O.C. / Tel: +886-2-2586-2711 / Fax: +886-2-2591-4367 www.screen-gptw.com.tw

SCREEN HD Korea Co., Ltd.

• K-TOWER 11F, 88, Iljik-ro, Manan-gu, Anyang-si, Gyeonggi-do, 13901, Korea / Tel: +82-2-727-0800 / Fax: +82-2-727-0876 www.screen-korea.com

SCREEN GP Australia PTY., Ltd.

• Suite 16A, 2 Eden Park Drive, Macquarie Park, NSW 2113, Australia / Tel: +61-2-9016-3400 / Fax: +61-2-9016-3425 www.screenaustralia.com.au

Internet web site : www.screen.co.jp/ga

www.screenamericas.com

www.screeneurope.com

We reserve the right to alter product design and specifications without prior notice.

No.205-173E V4-E SCI 12-21

Printed by the Truepress Jet520HD+ / SC inks